

DDSF833

Single Phase Electronic Multi-rate Energy Meter



Application

The DDSF833 electronic single-phase multi-rate watt-hour meter is composed by the electronic single-phase watt-hour meter part and multi-rate part, LCD display, infrared or RS485 communication, It has high measuring accuracy, well stability, well over-load ability and high reliability, It can measure the time-sharing single phase. All the Meter comply with the standard of GB/T15284-2002 Multi-rate(time-sharing) Watt-hour Meter and GB/T15284-2002 Multi-rate(time-sharing) Watt-hour Meter Communication Rule.

Functions and features

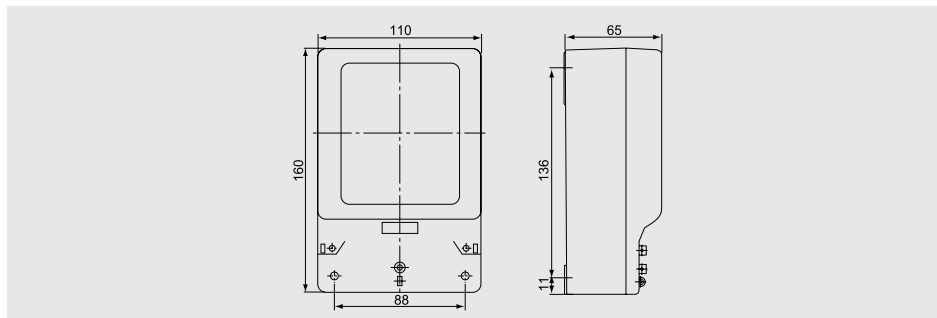
- Each of four periods has different rates(point period, peak period, smooth period and trough period). Every period of time can be programmed into 12 periods of time and the minimum time interval is one minutes.
- All the consumption date can be reserved for 12 months.
- It can auto identify the directional, will be auto save and accumulate to the forward direction power counter. It can auto save the reverse direction power, starting time and the total time.
- It has the function of reverse directional pulse test and indication.
- It has the isolated RS485 communication, and design for prevent from the lightning strike.
- Date-copying adopt the password and program switch protection, recording the latest program time and degree.
- It adopts the hardware clock circuit, the lowest current consumption, The battery is one-time and environmental protection lithium battery.
- It can setup the meter number, bureau number, time-period, rate, date, time, meter reading reading time, password and the initial electric power.
- It can indicate the short voltage of the backup battery, the hardware state of the meter, the communication state of the meter, the clock state, the directional electricenergy, time-adjusting state and present time-period.
- It can read via RS485 or hand computer.
- Meter reading function at power off.

Technical parameters

Model	Accuracy	Rated Voltage (V)	Rated Current (A)	Insulation Performance
DDSF833	Class 1.0	220	1.5(6) 2.5(10) 5(20) 10(40)	AC voltage 2kV for 1 minute, 1.2/50us wave form impulse voltage 6kV

*If you need different reference voltage or current specification, please advisory our sales

Outer and mount dimension



Wiring diagram

