

## DTSY(DSSY)833 Three Phase Electronic Prepayment Energy Meter

### Application

Type DTSY(DSSY)833 three-phase electronic prepayment electric energy meter is the metrical instrument controlling the electricity by limiting the quantity and load after the user pays the rate to the supply department in advance. It employs the American chip to measure the impulse as well as the latest encrypted IC card to transmit the data. With one card for one user, it is provided with the function for protecting against electricity-theft. Therefore, it is widely applied to industrial or mineral enterprises, real estate management of small residential area, and town and country network reform.

Each of the performance indexes is strictly in conformity to the technical requirements for electronic three-phase prepayment electric energy meter specified in IEC61036 and JB/T8382-96 standards.

### Functions and features

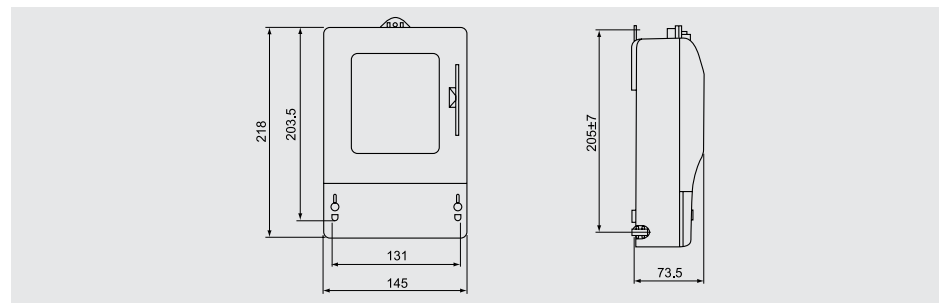
- Manufacturing standard: In conformity to the requirement specified in JB/T8382-96 Prepayment Electric energy meter standard.
- Accuracy class: Class1.0; Class2.0.  
Power consumption:  $\leq 2.0W$ .
- Work voltage range.
- Specifications:
  - Three-phase three-wire: 3x100V、50Hz、3x1.5(6)A、3X3(6)A.
  - Three-phase four-wire: 3x220V、50Hz、3x1.5(6)A、3X3(6)A、3X5(20)A、3x10(40)A、3x20(80)A.
- Service conditions: Ambient temperature -20~+50℃.
- Relative humidity:  $\leq 85\%$ .
- Option of RS485.

### Technical parameters

Model	Accuracy	Rated Voltage (V)	Rated Current (A)	Connection Mode
DTSY833	Class 1	3x380/220	3x1(2), 3x1.5(6), 3x3(6)	C.T Type
			3x5(20), 3x10(40), 3x15(60), 3x20(80)	Direct Type
DSSY833	Class 1	3x380	3x1(2), 3x1.5(6), 3x3(6)	C.T Type
			3x5(20), 3x10(40), 3x15(60), 3x20(80)	Direct Type

\*If you need different reference voltage or current specification, please advisory our sales

### Outer and mount dimension



### Wiring diagram

