

DDS833

Single Phase Electronic Energy Meter



Application

DDS833 electronic energy meter is a kind of new style single phase two wire active energy meter, it adopt micro-electronics technique, and imported large scale integrate circuit, use advanced technique of digital and SMT techniques, etc. The meter completely accord with relevant technical requirements of class 1 single phase active energy meter stipulated in international standard IEC 62053-21. It can accurately and directly measure 50Hz or 60Hz active energy consumption from single phase AC electricity net, it is use for setting indoor or out door, and it can display total energy consumption by step and motor type impulse register. It has following features: good reliability, small volume, light weight , specious nice appearance, convenient installation, etc.

Functions and features

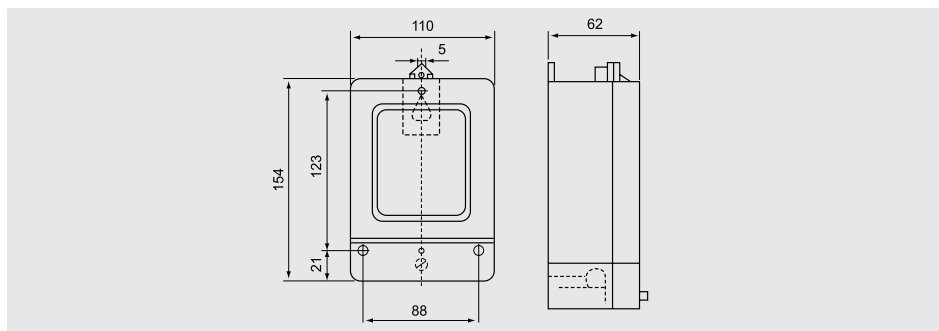
- Front board three fixed installation.
- Standard configuration 5+1 digits display (99999.1kWh) by step motor and pulse machinery counter.
- Standard configuration one port of pulse output passive (polarity), May select increase a distant port of pulse output passive (no polarity). And contact with all kind of AMR system conveniently, complying with standard
- Standard configuration only one LED instructions signal of power impulse (red), may select add instructions power state (green)and automatically detect the direction of the trend of load current and instructions by LED (when display yellow, that is meaning the current is reverse). Please specified when ordering.
- Single direction single component measure single phase two wire active Power consumption. It is nothing with direction of the trend of load current. Complying with standard IEC 62053-21.
- Direct connect and use, there are two types you may select. Standard configuration type 1B connection, may select type 1A connection.
- Standard configuration extended terminals cover, may select short terminals cover, in order to protect to use electricity safely.

Technical parameters

Model	Accuracy	Reference voltage (V)	Current specifications (A)	Starting current (A)	Insulation performance
DDS833	Class 1	127 230	5(30) 10(60) 20(100)	0.02 0.04 0.08	AC voltage 4kV for 1 minute, 1.2/50us wave form impulse voltage 6kV

* If you need different reference voltage or current specification, please advisory our sales.

Outer and mount dimension



Wiring diagram

