

## DEM351PB

### SINGLE PHASE THREE WIRE ELECTRONIC SOCKET INSTALLED ACTIVE ENERGY METER

#### Application

Model DEM351PB single phase three wire electronic socket installed active energy meter is a kind of new style single phase three wire active energy meter, it adopt micro-electronics technique, and imported large scale integrate circuit, use advanced technique of digital and SMT techniques, etc. The meter completely accord with relevant technical requirements of class 1 single phase active energy meter stipulated in international standard IEC 62053-21 and standard ANSI C12.10-1997. It can accurate and directly measure 50Hz or 60Hz active energy consumption from three phase AC electricity net, it is use for setting indoor or outdoor meter box. This meter has 7 digits LCD displays shows power. And there is far infrared communication module in it, can read the meter and set the system parameters conveniently, it has following features: good reliability, light weight, specious nice appearance, convenient installation, etc.

#### Functions and features

- Socket installed, the cover is made of PC material which is transparent and anti-UV molded overall, the terminal is made of black glass fiber which can fire-retardant and enhanced PC material. It has following features: Good weatherability, anti-impact, specious appearance, etc. complying with standard ANSI C12.10-1997.
- 8 digits LCD display, may select 6+2 digits display (999999.91kWh, default) or 7+1 digits display, can be set by the port of far infrared communication by users.
- There is a port of far infrared pulse output, use for checking conveniently.
- There is a port of far infrared state communication, standard configuration communication agreement complying with standard DL/T645-1997, may select other configuration communication agreement.
- LED instructions signal of energy impulse (red).
- Automatic detection of the flow of load current, and display on LCD (when display, that is meaning the direction of the flow of load current reverse).
- Single direction single component measure single phase three wire active energy consumption. It is nothing with direction of the flow of load current. Complying with standard IEC 62053-21.
- Directly connect operation, type 2S wiring, may select single phase two wire, Directly connect operation, type 1S wiring (Product Configuration code is PA).

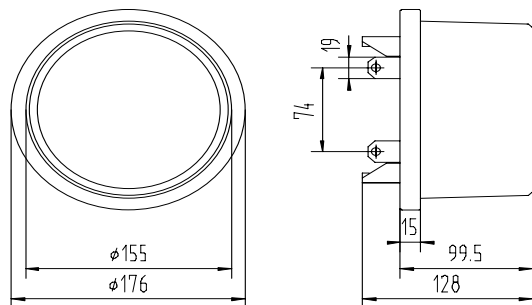


#### Technical parameters

Model	Accuracy	Reference Voltage(V)	Current specifications(A)	Starting current(A)	Insulation performance
DEM351PB	Class 1	240	15(100)	0.06	AC voltage 4kv for 1 minute, 1.2/50us waveform impulse voltage 6kv

\* If you need different reference voltage or current specification, please advisory our sales personnel.

#### Outer and mount dimension



#### Wiring diagram (Type 2S)

