

DEM072PB

SINGLE PHASE ELECTROMECHANICAL FRONT BOARD INSTALLED ACTIVE ENERGY METER

Application

Model DEM072PB single phase electromechanical front board installed active energy meter is a kind of new style single phase two wire active energy meter, it is on the basis of original single phase electromechanical meter, and fully absorb new technologies about electromechanical meter from domestic and abroad, The meter completely accord with relevant technical requirements of class 2 single phase active energy meter stipulated in international standard IEC 62053-11. It can accurately and directly measure 50Hz or 60Hz active energy consumption from single phase AC electricity net, it is use for setting indoor or out door meter box, and it can display total energy consumption by drum wheel mechanical register. It has following features: high overload, power loss, long-life, specious appearance, etc.

Structure and feature

- Front board three fixed installation, the cover is made of PC material which is transparent and anti-UV molded overall, the bottom of the meter is made of quality steel which is after double-through antirust processing, and the terminal is made of quality bakelite material which is moisture-resistant, fire-retardant, high temperature molded overall. It has following features: good weatherability, high rigid, specious appearance, etc.
- The meter frame adopt top-quality steel plate once molding with excellent mechanical strength, stable structure and anti-impact.
- Voltage components and current components are used of double insulation structure, has good electrical characteristics.
- The meter adopt magnetic thrust bottom bearing, oriented bearing is made of lubrication graphite bush and stainless steel needle. It has following features: small abrasion, long life and minimal friction, etc.
- All kinds of adjustment mechanism adopt no step shifting mechanism. The meter starting and creeping needn't to be adjust which is finished by anti-creeping hole of disc and convenient for adjusting by users.
- Standard configuration 5 digits display by drum wheel mechanical register, may select 6 digits display by drum wheel mechanical register (Product Configuration code is PE).
- Single component measure single phase two wire active energy consumption. Complying with standard IEC 62053-11.
- Direct connect operation, there are two types wiring you may select. Standard configuration type 1A wiring, may select type 1B wiring (Product Configuration code is PA).
- Use short terminals cover, it is helpful to reduce installation space, and makes users total installed conveniently.

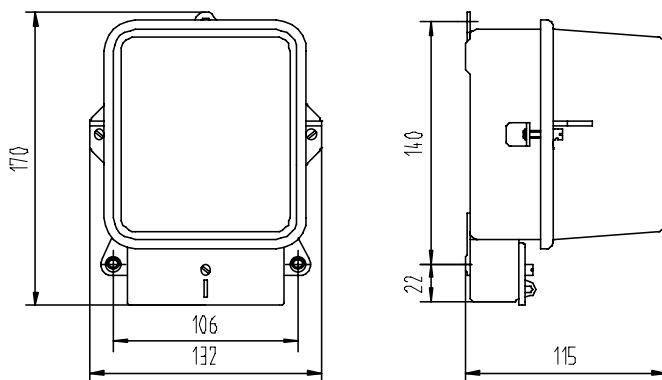


Technical parameters

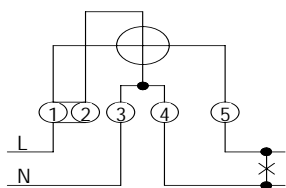
Model	Accuracy	Reference Voltage(V)	Current specifications(A)	Starting current(A)	Insulation performance
DEM072PB	Class 2	127 230	5(25) 10(50) 20(100)	0.025 0.05 0.1	AC voltage 2kv for 1 minute, 1.2/50us waveform impulse voltage 6kv

* If you need different reference voltage or current specification, please advisory our sales personnel.

Outer and mount dimension



Wiring diagram (Type 1A)



Terminals	Note
1	Inlet phase line
3	Inlet neutral line
4	Outgoing neutral line
5	Outgoing phase line