

### M3 series Moulded Case Circuit Breaker

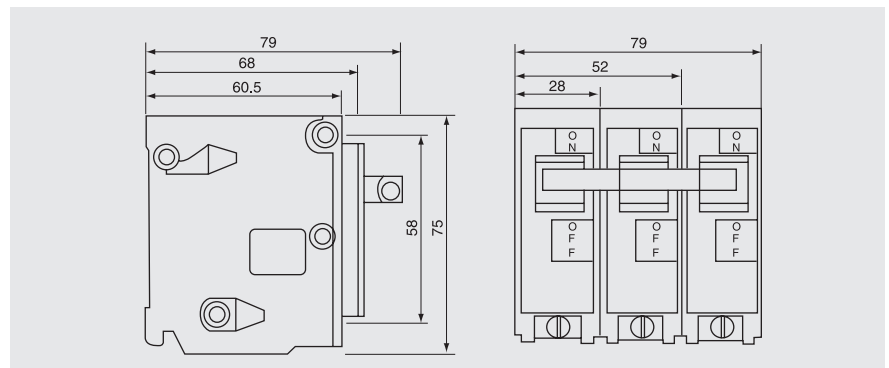
#### APPLICATIONS

M3 moulded case circuit breaker can be used in the building office, house, industry and similar building for illuminating at AC 60Hz, rated voltage below 415V, rated current 6-60A, distribution circuit and equipment overload, short circuit protection. This product accords with the requirement of JB/DQ 4328-88 and BS 3871 standards.

#### TECHNICAL SPECIFICATION

Poles (P)	Rated current (A)	Rated voltage (V)	Maximum, make breaking capacity (kA)	Electric life	Mechanical life
1	6, 10, 16, 20, 30, 40, 50, 60	240/415	3	6000 times	4000 times
2		415			
3					

#### DIMENSIONS



M3 1P



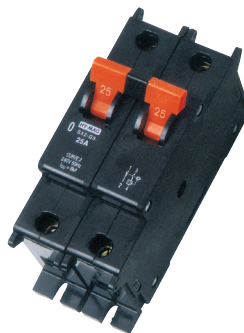
M3 2P



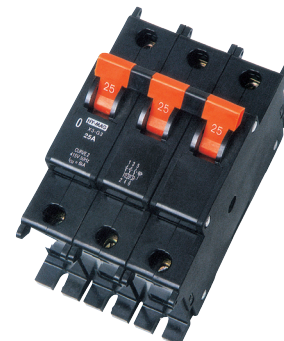
M3 3P



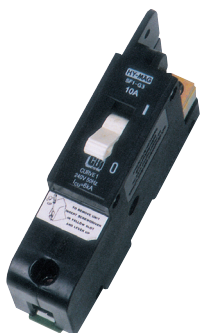
SX 1P



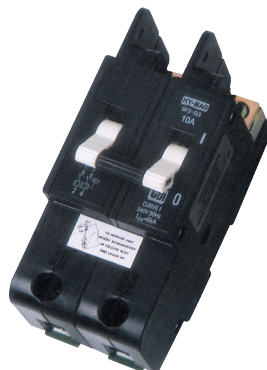
SX 1P



SX 1P



SF 1P



SF 2P



SA 1P