

### NC-100H series Mini Circuit Breaker

#### APPLICATION

NC100H high breaking capacity circuit breaker is used for AC50Hz (60Hz), single pole 240V, 2, 3, 4 Poles 415, for protecting the circuit that overload and short circuit may take place. It can be used in lighting and electric motor distribution system. Meanwhile it is applicable to an unfrequent switchover the electric apparatus and lighting circuit under normal condition.



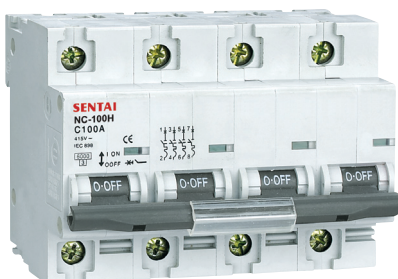
NC-100 1P



NC-100 2P



NC-100 3P

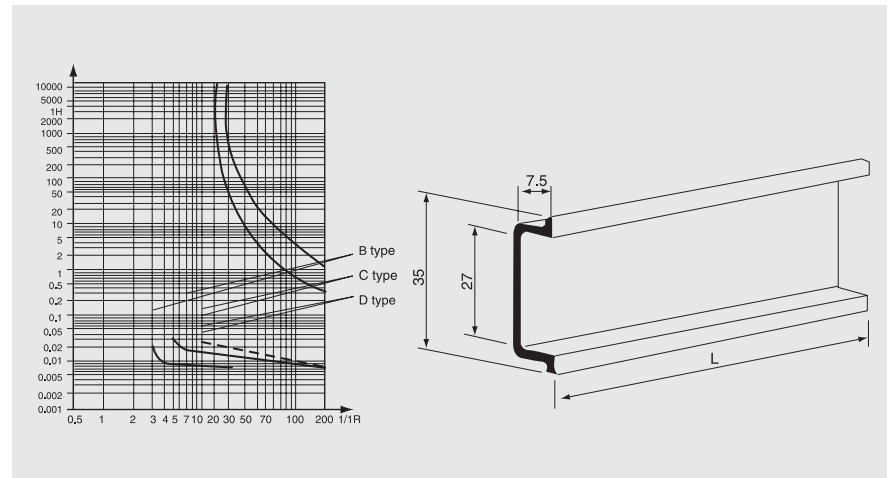


NC-100 4P

#### TECHNICAL SPECIFICATION

Rated current (A)	63,80,100			
Rated voltage(V)	240/415			
Mechanical and electrical life	20000 times(c.o)			
Poles (P)	1,2,3,4			
Braking capacity	IEC609472 10kA			
Weight(g)	1P	2P	3P	4P
	180	360	540	720

#### CHARACTERISTIC CURVE



#### DIMENSIONS

